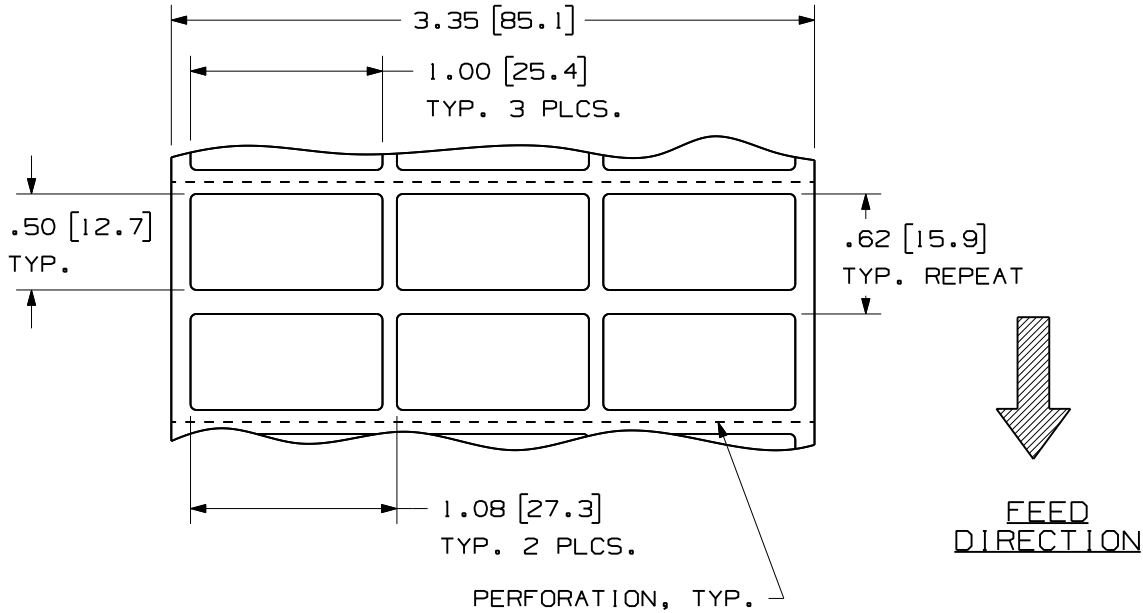


THIS COPY IS PROVIDED ON A RESTRICTED BASIS AND IS NOT TO BE USED IN ANY WAY DETRIMENTAL TO THE INTERESTS OF PANDUIT CORP.

NOTES:
1. DIMENSIONS IN [] ARE
IN MILLIMETERS.

PANDUIT PART NO.	FACE COLOR	PKG. QTY.	THICKNESS	PRODUCT TYPE
C100X050APT	WHITE	500	.030 +/- .010	POLYESTER/ FOAM COMPONENT LABEL
C100X050AOT	BLACK			
C100X050AST	GREEN			
C100X050AWT	RED			
C100X050A8T	YELLOW			
C100X050AMT	SILVER			
C100X050AUT	ORANGE			



CAD FILENAME/LAYERS 100491BP-DC-C10729/03C

PANDUIT CORP. TINLEY PARK, ILLINOIS

CUSTOMER DRAWING
RAISED PANEL COMPONENTS LABELS
C100X050APT

UNLESS OTHERWISE SPECIFIED,
DIMENSIONAL TOLERANCES ARE:
(.X) ± .12 (.XXX) ± .025
(.XX) ± .062 ANGLES ± 5°

UNLESS OTHERWISE SPECIFIED,
ALL DIMENSIONS ARE GIVEN
IN INCHES, THIRD ANGLE PROJECTION.

2 5/3/10 RVU TOL. SHOULD BE .12, .062, NOT .1, .050.
ADD NEW PN: C100X050AUT. 6348 R

1 12/18/08 RVU REMOVE "REPEAT" FROM THE LABEL SIZE. 5592 R

0 9/5/08 RVU PTR DRAWING RELEASE. 5537 R

REV DATE BY CHK DESCRIPTION ECN - R CUST SUP

DRAWN BY
RVU

MAT'L:

DATE
9/5/08

GMH3
POLYESTER
& FOAM

SCALE NTS

DRAWING NO.

C10729

DWG
A
SIZE

CHK'D
SCWE